

Energising
the whole
world



Sealed Maintenance - Free
Valve Regulated Lead - Acid Battery

ES & ESC
Battery

Global Battery Co. Ltd., South Korea
formerly known as Global & Yuasa Co. Ltd.

Unlimited Power
ROCKET
Since 1952
BATTERY

INTRODUCTION

INTRODUCTION

The most advanced technology of Rocket, Valve Regulated Lead Acid batteries make them highly useful in a broad range of application. Absorptive glassmat separators are used in these batteries. The use of high-purity calcium alloy maximises the longevity of ROCKET batteries. So you will be assured with ROCKET batteries excellent performance in any circumstance.

ESC Series are specially designed to provide better cyclic life and are ideally suited for areas prone to frequent power failures.

The unique construction coupled with the use of special sealing epoxies and long sealing paths of ROCKET series ensures that no electrolyte leakage can occur from terminals or cases of any ROCKET Batteries. This feature ensures safe & efficient operation of ROCKET batteries in any position.

ROCKET Batteries have excellent Deep Discharge Recovery and Charge Acceptance even after deep or prolonged discharge.

TECHNICAL FEATURES

- Non-Spillable Sealed Construction
- Absorptive Glass Mat System (AGM System)
- ABS(Acrylonitrile Butadiene Styrene) container and cover /Polypropelene as optional
- Gas Recombination
- Maintenance-Free Operation
- Low Pressure Venting System
- Heavy-Duty Grids
- Low Self-Discharge - Long Shelf Life
- Wide Operating Temperature Range
- High Recovery Capability

DESIGNED LIFE :

- ES Series Upto 42 AH Designed for float life of 6 years at an ambient temperature of 25°C / 77°F
- ES 65 AH Designed for float life of 10 years at an ambient temperature of 25°C / 77°F
- ESC Series Designed for float life of 10 years at an ambient temperature of 25°C / 77°F.

MAIN APPLICATIONS

- UPS Systems
- Telecom Communication Equipments
- Fire Alarm & Security Systems
- Medical Instruments
- Computer Backup

SPECIFICATIONS OF ES BATTERIES

BATTERY Type	Nominal Voltage (V)	RATED CAPACITY					MAXIMUM CHARGING CURRENT (A)	CHARGING VOLTAGE		DIMENSIONS (mm) ± 5mm				WEIGHT APPROX KGS. + 3%	TERMINAL TYPE
		20HR 1.75 V CELL	10HR 1.75 V CELL	5HR 1.75 V CELL	3HR 1.75 V CELL	1HR 1.75 V CELL		STAND BY USE V	CYCLE USE (V)	LENGTH	WIDTH	HEIGHT	TOTAL HEIGHT		
ES 7-12	12	7	6.28	5.55	4.86	3.72	1.75	13.50 TO 13.80 V at 25(°C) (77°F)	13.50 TO 13.80 V at 25(°C) (77°F)	151	65	94	100	1.90	F2
ES 12-12	12	12	11.08	10.15	9.3	7.34	3			151	98	95	101	3.7	F2
ES18-12	12	18	16.65	15.3	13.77	10.6	4.5			181.5	77	167.5	167	5.32	F3
ES 26-12	12	26	23.93	21.85	20.7	17.8	6.5			166.5	175	125	125	7.6	F3
ES 42-12	12	42	39.78	37.55	31.8	24.2	10.5			197	165	170	170	12.9	M6
ES 65-12	12	65	60.50	56	50.7	35.9	16.25			348	167	178	178	19.2	M6

SPECIFICATIONS OF ESC BATTERIES

ESC 100-12	12	100	91.50	83	70.5	58.9	25	13.50 TO 13.80 V at 25(°C) (77°F)	13.50 TO 13.80 V at 25(°C) (77°F)	330	171	215	222	29.5	M8
ESC 120-12	12	120	108.00	96	84	69.1	30			410	176	227	227	33.5	M8
ESC 150-12	12	150	141.75	133.5	121.5	89.3	37.5			485	172	240	240	42.5	M8
ESC 200-12	12	200	186.75	173.5	141.3	120	50			522	238	218	223	58.5	M8

The Battery Container & Cover are Available in ABS Plastic & Flame Retardant (FR).

COMPLIANCE STANDARDS

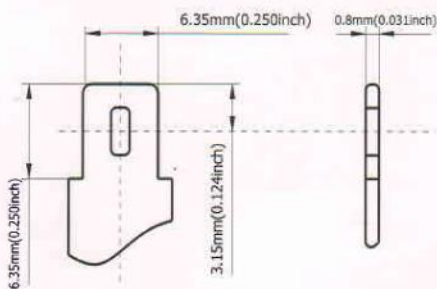
JIS

IEC 60896 PART 1&2

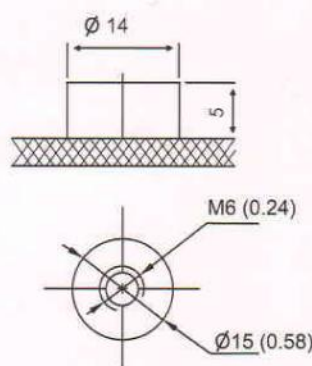
BS6290-4,

Eurobat Guide-HIGH Performance

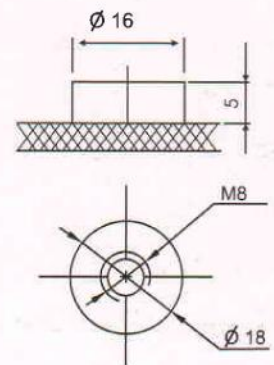
TERMINAL



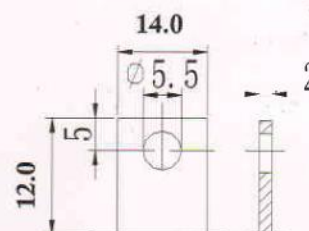
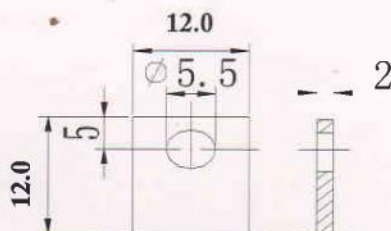
Terminal F2 (0.250)



Terminal F3



Terminal F4



Note : Above data is only for indicative purpose. For more detail please visit our website www.rocketbatteries.net