



## Liebert® NXC™

10kVA - 60kVA

Compact, Efficient, and  
Reliable Power Solution





We helped some of the largest names in the industry bring new capacity online faster and at a lower cost when search and social media increased demand for storage and computing.



We were the first to introduce an integrated enclosure system to distributed networks.



Our portfolio spans power, thermal and infrastructure management products, software and solutions.



Protecting your critical technologies takes more than just great software and equipment. It takes a level of experience that only comes from years of finding solutions when the industry needed them most. We were the first to protect mainframes with precision cooling systems.



And now as challenges and demands grow, we continue to find better ways to help you strengthen your most vital applications. Formerly the Network Power business of Vertiv, we've brought together the most trusted and experienced names in critical infrastructure.



Complemented by a network of nearly 250 service centers worldwide. It's a combination of experience and resources that allow us to better adapt to what's needed, anticipate what's next and continue to find solutions in ways other companies simply can't.



Liebert® NXC™ offer reliable and flexible secure power in a fully integrated package solution. It comes complete with highly efficient transformer-free double conversion technology providing installation and running cost savings.

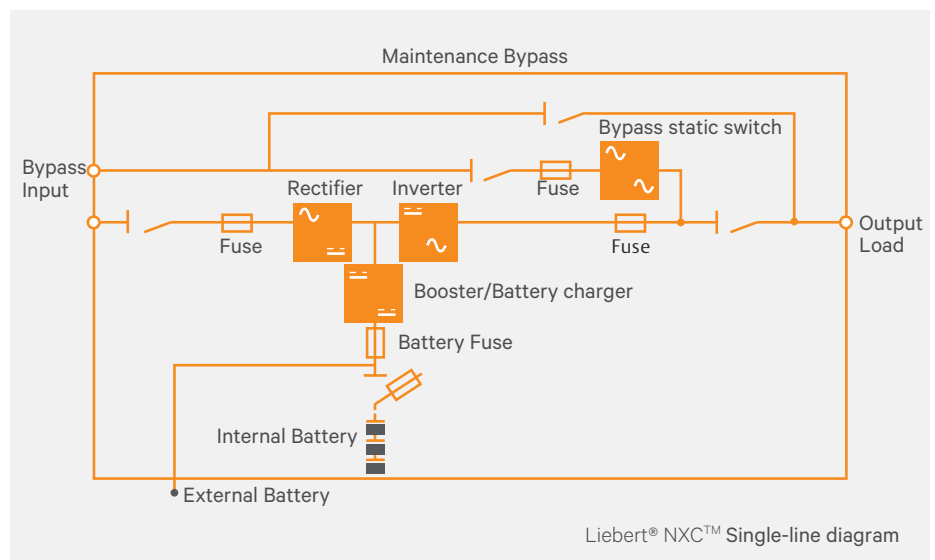
## FEATURES AND PERFORMANCES

- 0.9 output power factor
- Double conversion efficiency up to 95.5%
- ECO mode efficiency up to 99%
- Input current total harmonic distortion correction (THDi)<5%
- Input/output and bypass circuit breakers
- Integrated manual bypass
- Integrated parallel load bus and synchronization port (LBS)
- Integrated Battery Backup

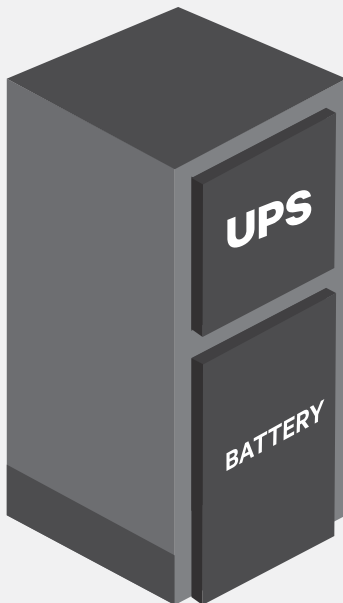
With a rated output power factor of 0.9 Liebert® NXC™ is also able to provide 10% more active power than a traditional 10-60kVA UPS.

Liebert® NXC™'s combination of performance features, impressive integrated autonomy and compact footprint make it ideal for guaranteeing clean, continuous, continuous power of a wide range of applications from IT and manufacturing to retail and transport.

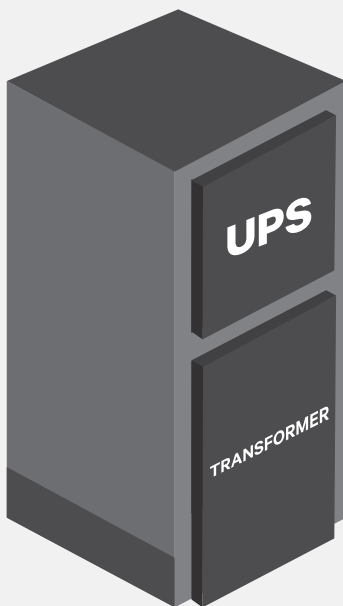
Liebert® NXC™ achieves up to 95.5% efficiency in double conversion mode and up to 99% in ECO mode ensuring effective load protection while reducing the total cost of ownership (TCO) and environmental impact.



Configuration available  
for the Liebert NXC



UPS with fully integrated battery



UPS with integrated isolation transformer



## Flexibility

The Liebert® NXC™ is a compact solution designed to optimize installation space requirements and provide enhanced flexibility to ensure superior protection for all load types (leading and lagging).

Its low THDi (<5%) and active input power factor correction ensure that the UPS absorbs less current from the upstream distribution network, thus eliminating the need for oversizing gensets and other equipment.

Everything from installation and electrical infrastructure requirements to energy consumption and real estate costs have been taken in to consideration to deliver this flexible solution.

The Liebert® NXC™ flexibility is further enhanced through:

- Full galvanic isolation option
- Single and three phase output configuration options
- Common or distributed battery bank
- Reduced footprint

### Output Configuration

Liebert® NXC™ can be configured on-site to deliver three(3/3) or single (3/1) phase output giving it the flexibility to adapt to change in installation environments.

### Full Galvanic Isolation

Liebert® NXC™ offer integrated full galvanic isolation, This greatly reduces the footprint thus providing space saving advantages. In addition, the transformer can be connected to the input or to the output of the UPS.

### Providing:

- Full galvanic isolation for medical and other critical applications
- Installation with two independent input sources (with different neutrals)
- Installation in distribution without neutral.

## In The Field

### Integrated autonomy

The Liebert® NXC™ provides an excellent integrated autonomy which results in back up times of up to 30 minutes.

The batteries housed inside the UPS cabinet which are responsible for delivering autonomy eliminating the need for an external battery cabinet, further reducing installation costs and minimizing the demand on physical space.

The powerful battery charger allows the reduction of battery re-charging time and increase its ability to manage longer back up times.



1 Communication Slots

2 Power Module

3 LCD display interface

4 Transformer or internal battery option

5 Switch assembly

### Parallel Ready

The Liebert® NXC™ can be connected with up to four units in parallel, one of which is redundant. A single unit can be upgraded to parallel operation to modify software settings which allow the system to be customized for the requested configuration.

The Loop Bus connection used in paralleling the system delivers ultimate reliability of a single point of failure, ensuring perfect load sharing and fast detection of any variation in the system status.



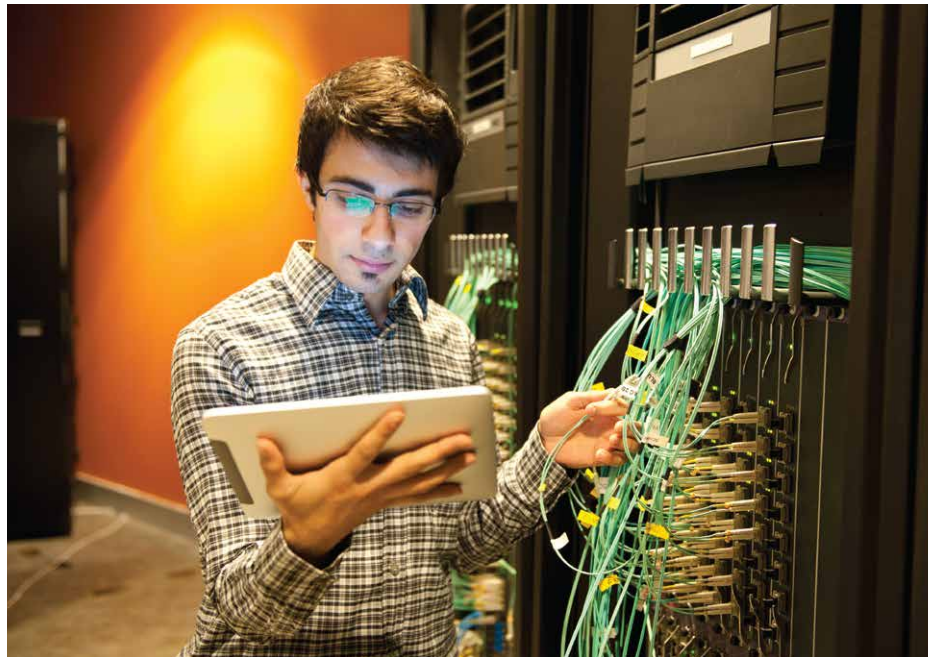
## Communication

The Liebert® NXC™ features a multi-lingual LCD user interface allowing close control and monitoring of system status and performance.

The UPS offers the following communication features:

- Voltage-free contacts
- USB interface
- Internal Intellislot for SNMP or Modbus communication

These communication capabilities make Liebert® NXC™ compatible with any building management system.



## Software Connectivity

**Liebert® MultiLink™** software prevents unexpected server shutdowns and minimize downtime by indicating warning of pending power losses and initiating safe shutdown of operating systems if required.

**Liebert® Nform™** and Site Monitor network communications system enables customers to leverage the distributed monitoring capabilities of network connected equipment providing centralized management of distributed systems.



## Serviceability

The architecture of the Liebert® NXC™ is designed to optimize installation and simplify service with its easily power assembly. This architecture minimizes the time needed for repairs and optimizes serviceability.

The Liebert® NXC™ also comes equipped with casters to facilitate ease of movement and relocation.



Connectivity cards

## Specifications

Nominal Ratings	10	15	20	30	40	60
<b>Output active power</b>	<b>9</b>	<b>13.5</b>	<b>18</b>	<b>27</b>	<b>36</b>	<b>54</b>
<b>Input</b>						
Nominal input voltage(V)	380/400/415					
Input voltage range (V)	305~477 at full load; 228-477 at 70% load					
Nominal input frequency (Hz)	50/60					
Input frequency range (Hz)	40-70					
Input power factor (kW/kVA)	0.99					
Bypass voltage tolerance (%)	selectable from +20 to -40					
Bypass frequency tolerance (%)	±20 (±10 selectable)					
Current THD at full linear load (THDi%)	<5					
<b>Battery</b>						
Number battery blocks per string	30-40					
Battery Charger max. power (kW)	4.5	4.5	4.5	6	6	7.5
<b>Output</b>						
Nominal output voltage (V)	380/400/415 (3-phase) or 220/230/240 (1-phase)					380/400/415 (3-phase)
Nominal output frequency (Hz)	50/60					
THDv with 100% linear load (%)	2					
Inverter overload capacity	<105% Continuous; 125% for 5 min; 150% for 1 min					
<b>Efficiency</b>						
Online mode efficiency	Up to 95.5%					
ECO mode efficiency	Up to 99%					
<b>Dimensions and weight</b>						
Dimensions (W x D x H) mm	500 x 860 x 1240			600 x 850 x 1600		
Weight (Net weight)	115			210		225
<b>General</b>						
Nosie at 1 m dB (A)	=56				=58	=60
Protection level IEC (60529)	IP20					
General and safety requirements for UPS	EN/IEC/AS 62040-1					
EMC requirements for UPS	EN/IEC/AS 62040-2					
UPS classification according to IEC 62040-3	VFI-SS-111					

\*Conditions apply

Specifications are subject to change without any prior notification



**COSTA POWER INDUSTRIES PVT. LTD.**

209, 2nd Floor, Infinity Business Park, Behind Pendharkar College,  
MIDC Phase - 1, Dombivli(E), Thane - 421023.  
Phone No. - 9820710392 / 9372217661.

Email - [sales@upsbatteriesindia.com](mailto:sales@upsbatteriesindia.com) / [sunil@upsbatteriesindia.com](mailto:sunil@upsbatteriesindia.com).

VertivCo.com | E-mail : [marketing.india@vertivco.com](mailto:marketing.india@vertivco.com) | Toll free : 1-800-2096070

**Vertiv Energy Private Limited** | Plot C-20, Rd No.19, Wagle Ind Estate, Thane (W), 400604. India